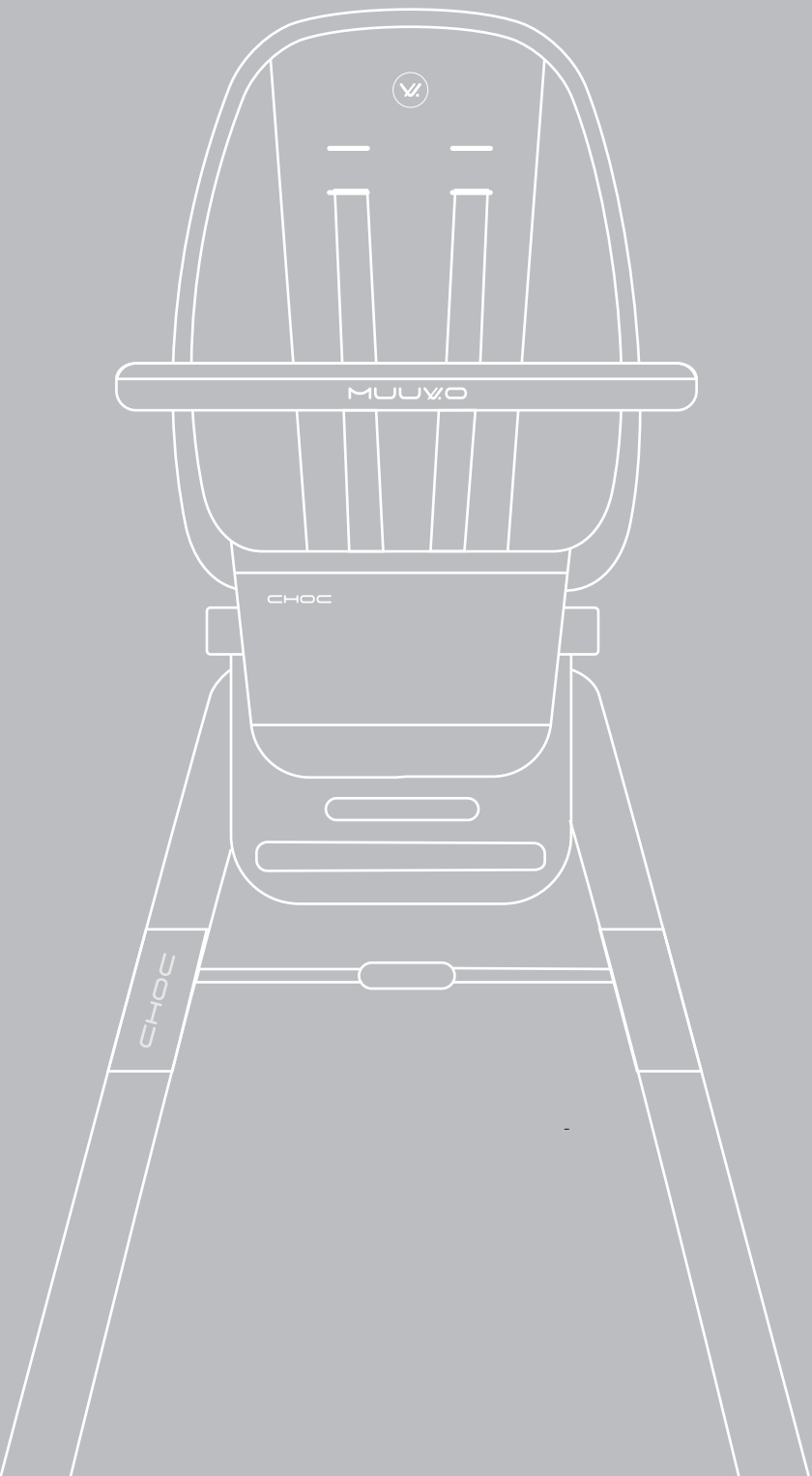




MUUVO CHOC HIGH CHAIR MANUAL

3 in 1



HIGH CHAIR



360 SEAT SWIVEL



**MAX WEIGHT
110 KG**



STOOL



MINI STOOL

High Chair 3 in 1

Congratulations on your purchase of the 360 High Chair. This product has been designed and developed with safety, comfort and functionality in mind. Please take the time to read this manual carefully before using this product and keep it in a safe place for future reference. Read all instructions before assembly and use of the stool mode. Keep instructions for future use. Thank you!

MUUVO team



High Chair is intended for children who can sit unaided and up to 3 years old or reach 15 kg.

IMPORTANT! READ CAREFULLY AND KEEP FOR FUTURE REFERENCE

ATTENTION!

- Follow the manufacturer's instructions.
- Do not leave children unattended.
- The harness must always be used and correctly fitted - most high chair injuries are caused by falls.
- Position the high chair away from solid structures and benches to avoid injuries caused by falls and by access to dangerous items.
- DO NOT carry the high chair with a child in it.
- Stop using this high chair if any part of the high chair is broken, torn or missing.
- Do not use the high chair until the child can sit up unaided.
- Do not overload the stool
- Do not use on an inclined surface
- Use the stool on a flat, even and horizontal floor.
- Do not elevate the chair on any structure or table.
- Keep product away from fire.

- Periodically check that all parts of the high chair are in good working order.
- DO NOT use the high chair if it is damaged or broken.
- Do not use the high chair unless all components are correctly fitted and adjusted.

Be aware of the risk of an open fire and other sources of strong heat in the vicinity of the high chair.

Follow the manufacturer's instructions.

Age Group: 6 months +

Not recommended for a child under 6 months of age.

The weight of the child using this stool should not exceed 110 kgs.



WARNINGS

Check that all parts are mounted correctly before placing a child in the high chair.

Always keep a child in view while in high chair.

Not recommended for a child under 6 months old.

The tray is not designed to hold the child in the high chair.

ALWAYS secure your child in the harness.

Ensure that your child wears a correctly fitted and adjusted harness at all times.

Only use the high chair on a secure, leveled surface.

Use the high chair on a flat, even and horizontal floor.

DO NOT elevate the high chair on any structure or table.

DO NOT allow children to stand on the seat or footrest or climb into or out of the high chair. When adjusting the tray, make sure that parts of your child's body are clear of any moving parts.

DO NOT carry the high chair with a child in it.

To reduce the risk of injury, position the high chair away from furniture, walls, hot surfaces and liquids, windows, curtain and electrical cables.

Periodically check that all parts of the high chair are in good working order.

DO NOT use the high chair if it is damaged or broken.

The weight of the child using the high chair and mini stool should not exceed 15kgs.

Promptly replace worn out or broken parts.

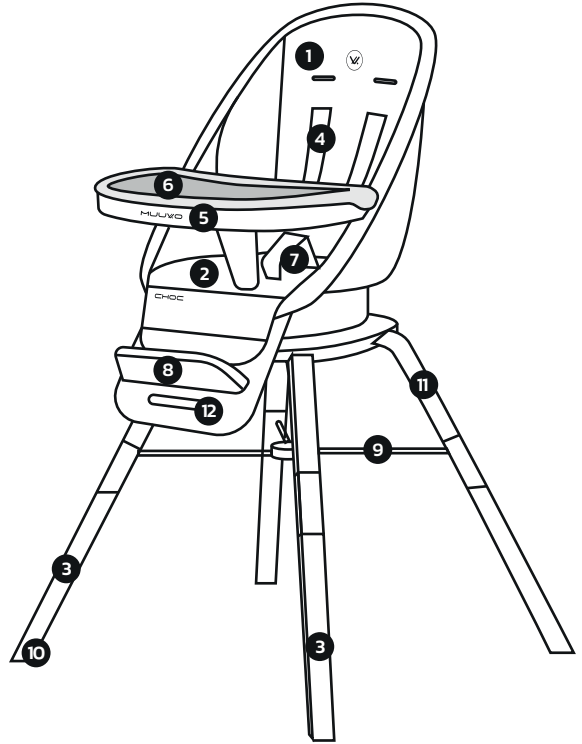
Please seek repair and **DO NOT** use a high chair if it is not working correctly.

FALLING HAZARD: Prevent your child from climbing on the product.

Be aware of the risk of tilting when your child can push its feet against a table or any other structure.



1. BACKREST
2. SEATPART
3. BOTTOM LEGS
4. BELTS
5. TRAY
6. COVER TRAY
7. BUCKLES
8. FOOTREST ADJUSTER
9. CROSS BRACE
10. LEGS COVERS
11. TOP LEGS
12. FOOTREST



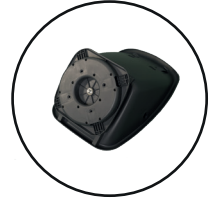
SUPPLIED LOOSE IN BOX

- Seat x1
- Cushion x1
- Belts x1
- Stool seatpart x1
- Bottom Legs x4
- Footrest x1
- Legs covers x4
- Tray (with Sub TraY pre-assembled) x1
- Top Legs x4
- Footrest Adjuster x1
- Cross straining x1
- Allen Key x1
- 20 mm Leg Bolts x4
- 25 mm Leg Bracing Bolts x4

If any accessories listed above are missing from this 360 High Chair, contact our service department: service@muuvo.eu

I ASSEMBLY IN HIGH CHAIR MODE

1. Lay the seat flat on the floor, face down.



2a. Insert 1 x Top Leg into the designated space on the underside of the Seat Base.

2b. Secure with 1 x 20mm Leg Bolts.

2c. Repeat for remaining 3 x Top Legs.



3a. Insert 1 x Bottom Leg into the designated space connected to a Top Leg.

3b. Repeat for remaining 3 x Bottom Legs.

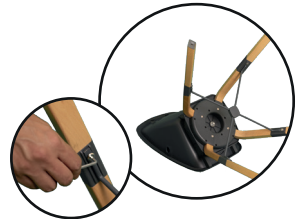


4a. Align one end of the Leg Cross Brace with the designated space located on the inside of the full leg assembly.

Ensure the curve in the bracing is angled downward.

4b. Secure with 1 x 25 mm Leg Bracing Bolt.

4c. Repeat for the remaining 3 x Leg Cross Brace ends.



5. Flip the chair over.



6. Insert 2 x Footrest Bars into the footrest slots at the front of the chair.



7. Insert 1 x Footrest Adjuster into the desired slot. Push down to secure into place.

8. To secure the footrest, insert a seat pad and belts.



9a. Align the Tray with the grooves on the Crotch Restraint.

9b. Pull tray adjustment latches on both sides of the tray and slide along the grooves towards the chair.

9c. Release the tray adjustment latches, ensuring Tray 'clicks' into position and is secure.



The chair is now ready for use in High Chair Mode.

II FOOTREST ADJUSTER

ATTENTION: Footrest Adjuster can be used in any of the three Footrest Adjuster slots.

1a. To remove the Footrest Adjuster, push up and towards the Footrest until the positioner disengages.

1b. To fit the Footrest Adjuster, insert into one of the designated slots and pull downwards until positioner „clicks“.

2. To remove the complete Footrest Adjuster, engage the push pins located at the rear of the Footrest Arms and slide Footrest Adjuster away from the Seat Base.



The chair is now ready for use in High Chair Mode.

III TRAY ADJUSTMENT

1a. This Tray has 2 adjustable positions.

1b. To adjust the Tray, pull tray adjustment latches on both sides of the Tray and slide forward or backward to a desired position.

1c. Release the tray adjustment latches, ensuring Tray 'clicks' into position and is secure.



2. This Tray features a Sub-Tray, which is easily removable by lifting the two tabs on the sides of the Tray and lifting Sub-Tray away from the Tray.
3. To remove the Tray, pull tray adjustment latches on both sides of the Tray and slide away from the Chair.



ATTENTION: *Installation, assembly and disassembly of the tray must only take place with an empty chair. The child must not be inside or nearby.*



IV ROTATABLE SEAT PART

1. Press the button on the back of the seat under the backrest.
2. Holding the button with one hand, rotate the seat to the desired position.
3. Lock the seat in the desired position by releasing the lock button.



V REMOVING THE TRAY AND CROTCH RESTRAINT

- 1a. The Tray (with Crotch Restraint attached) can also be removed as one complete piece.
- 1b. Locate and pull the Release Lever underneath the front edge of the Seat. This will release the Crotch Restraint from the Seat Base.



2. Lift the tray up at an angle until the sides of the tray are released from the mounting holes, pull out the entire element.



VI USE OF THE HARNESS

ATTENTION: *The harness must be used at all times and be correctly adjusted. Most high chair injuries are caused by falls.*

- 1a. Place the baby in a seat.
- 1b. Attach shoulder straps to waist belt.
- 1c. Position the crotch strap between baby's legs and put it's arms through shoulder straps.
- 1d. Close the buckles. You should hear a 'click' sound.
- 1e. Adjust sliders for a snug fit (readjust them as baby grows).
- 1f. Check to be sure the harness is securely attached by pulling it away from the baby, it should remain attached.
- 1g. To unfasten the seat belts, press the button on the buckle.

ATTENTION!: *Use the 5-point harness at all times to ensure that the baby is safe and secure while seated.*



VII CUSHION REMOVAL

- 1a. Follow the earlier steps to remove the Tray and Crotch Restraint.
- 1b. Undo the Harness Buckle.
- 1c. Remove the Waist Clips from the Shoulder Clips.



- 2a. Put the Shoulder Harness Straps back through the current slots in the Seat Pad.
- 2b. Repeat the step above for the Waist Straps and the Crotch Strap.



3. Unfasten the Seat Pad from the Footrest and remove the Seat Pad from the Seat.

VIII REMOVING THE HARNESS FOR CLEANING

1. To remove the belts, put the securing ends all the way through the holes in the seat.

ATTENTION: *There are 5 harness attachment points.*

WARNING! *ALWAYS refit the harness correctly after cleaning and before reusing them.*



IX ADJUSTING THE SHOULDER STRAP POSITION

1a. Follow the steps above to remove the shoulder belts.

1b. Put the shoulder belts through the upper or lower holes in the seatback.



X CONVERTING TO MINI STOOL MODE.

1a. Remove the tray (step V).

1b. Lay the Stool down, flat on the floor.



2. Remove 4 x 25 mm Leg Cross Brace Bolts and detach Leg Cross Brace from the Stool.

3. Remove the 4 x Bottom Legs from their designated slots and replace them with 4 x Mini Stool feet.

4. Secure the Mini Stool Feet and Leg Cross Brace with the previously used 4 x 20 mm Leg Bracing Bolts.



The chair is now ready for use in Mini Stool Mode.

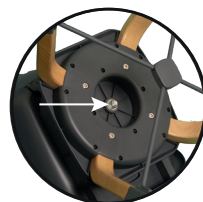


XI CONVERTING TO HIGH STOOL MODE FOR CHILDREN OR ADULTS UP TO 110 KG

- 1a. Remove the tray (step V).
- 1b. Lay the chair down, flat on the floor.

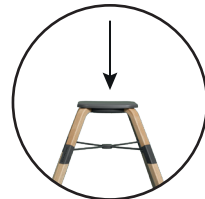


- 2a. Unscrew the central metal screw on the bottom of the chair.
- 2b. Remove the seat.



3. Put on the plastic cover.

The chair is now ready for use in High Stool mode for children or adults up to 110 kg.



To ensure the long-lasting use of your high chair, wipe down with a damp cloth and use a mild soap solution if necessary.

ATTENTION: Do not use abrasive cleaners. Always store product in a clean dry place.

Tray: Wipe clean with a damp cloth and mild soap. Do not immerse in water.

ATTENTION: Product is not suitable for washing in a dishwasher

ATTENTION: Always check parts regularly for tightness of screws, nuts and other fasteners - tighten or replace if required. To maintain the safety of your high chair, seek prompt repairs for bent, torn, worn out or broken parts. Use only original parts and accessories.

If you have any difficulties in assembling the high chair, please contact our Service Department: service@muuvo.eu.

GRAPHITE

WHITE



The product meets European safety standards:

5

EN 14988:2017

EN 581-1:2017

EN 581-2:2015 + AC: 2016





Customer service:

+48 507 983 828
office@muuvo.eu

Service / Complaints:

+48 507 983 828
service@muuvo.eu

Muuvo Sp. J.
ul. Rychla 18
41-948 Piekary Śląskie
www.muuvo.eu

